

RLAS-0785-0500-N-MM-10-01-02-A

Key Features:

Narrow spectral line width
 High Power Stability
 Low Power Consumption
 High Reliability

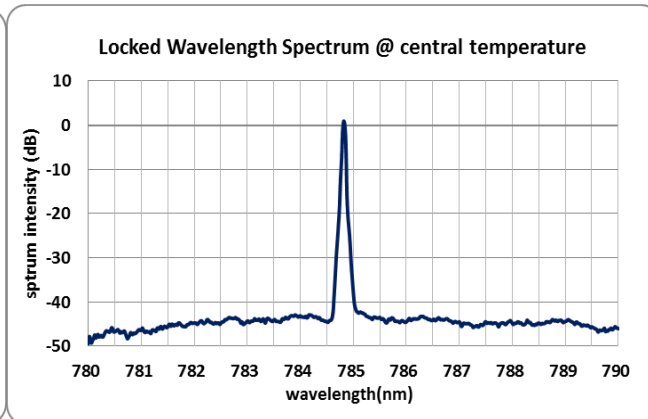
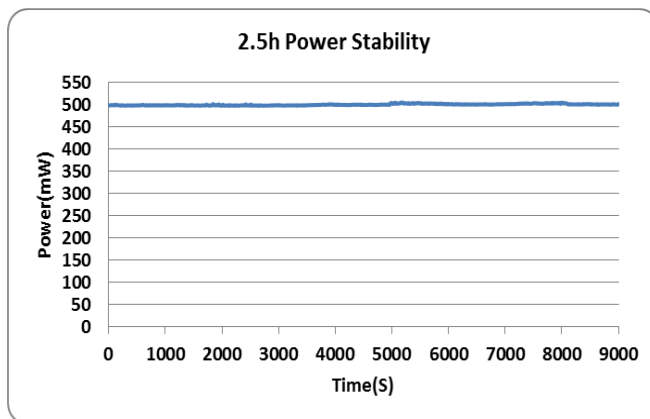
Applications:

Raman Spectrograph
 Sensing
 Bio-medical

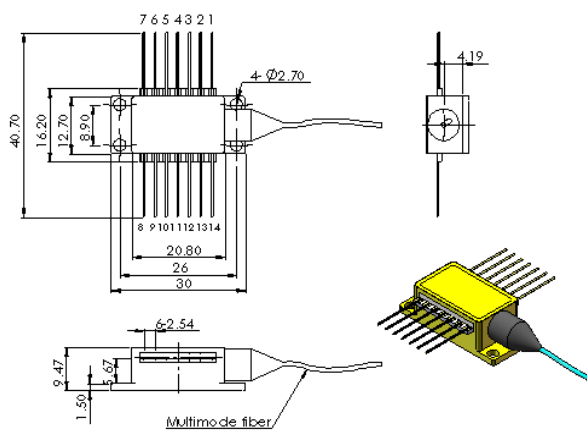
Model Number	RLAS-0785-0500-N-MM-10-01-02-A			
Optical Parameters	Specs			Conditions
	Min	Typ	Max	
Wavelength	784.5nm	785nm	785.5nm	
Line-width	-	0.08nm	0.1nm	FWHM
Output Power	-	-	500mW	
Power Stability	-	1.5%	3%	ACC, 2hours @ Recommended Temp
Operating Temperature (Case)	-20 °C	-	50 °C	
TEC Set Temperature	15 °C	25 °C	35 °C	
SMSR	-	40 dB	-	
Optical Fiber	105/125um Multimode Fiber, 0.22NA			
Fiber Jacket (diameter)	900um buffer			
Connector	FC/UPC			
Electrical Parameters				
LD Working Current	-		1300mA	
LD Working Voltage	-	1.9V	2.3V	
Internal TEC	Voltage	-	4.8V	
	Current	-	5A	
Mechanical Parameters				
Packing Dimensions	30mm*12.7mm*9.37mm			
Laser Weight	-	22g	-	
Reliability				
Storage Humidity		5%~85% R.H. ^①		
Storage Temperature	-20 °C	-	70 °C	
Shock	500g, 1ms, 6 shocks, 3 axes, 2 shocks/axis			
Vibration	20~2KHz, 0.02g ² /Hz, 3 axes, 1hr/axis			
Expected Lifetime (MTTF)	20000hrs	-	-	@Rated Power & Room Temp

 Note: ^①Non-condensing

Typical Output Performance:



Dimensions (Unit: mm)



Pin Configuration:

1	TEC+	8	Idle
2	Idle	9	LD-
3	Idle	10	LD+
4	Idle	11	Idle
5	Thermistor	12	Idle
6	Thermistor	13	Idle
7	Idle	14	TEC-